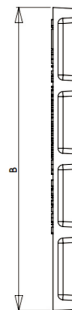
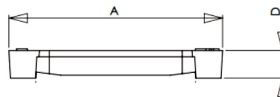
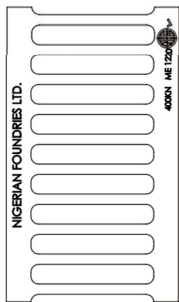
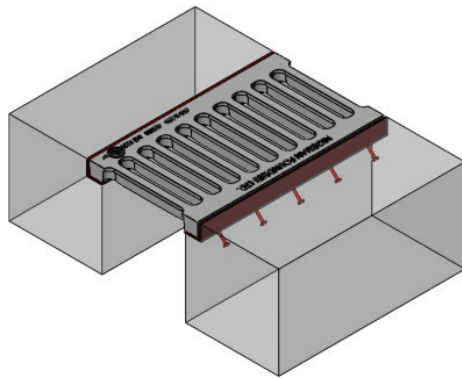




MUNICIPAL CASTINGS | DUCTILE IRON



PRODUCT INFORMATION

This portion will talk about the material of the product. It will indicate its composition and examples of where it can be used with visual representation. Conseditem volo inctur, utem ad qui dicil maio. Itatur? Qui nonet alit faciendae estoreperum ut aut dolupta dolendipsam sinis mi, consed eum reribus, acia quantum fugitorem ut omnia alitatur? Consequis nem nestotatum

FEATURES AND BENEFITS

- Conseditem volo inctur, utem ad qui dicil maio. Itatur? Qui nonet alit faciendae
- estoreperum ut aut dolupta dolendipsam sinis mi, consed eum reribus, acia quantum
- fugitorem ut omnia alitatur? Consequis nem nestotatum sit a Conseditem volo inctur, utem ad qui dicil maio.
- Itatur? Qui nonet alit faciendae estoreperum ut aut dolupta dolendipsam sinis mi, consed eum

SPECIFICATION

PRODUCT CODE	(A)mm	(B)mm	CLEAR OPENING (C)mm	HEIGHT OF GRATE (D)mm	ANGLE IRON SIZE
CHA005	250	600	160	45	50 X 50
CHA 006	350	600	260	45	50 X 50
CHA140	300	600	210	45	50 X 50
CHA049	400	600	310	45	50 X 50
CHA144	500	700	410	45	50 X 50

HEAVY DUTY CHANNEL RATINGS



APPLICATION



GROUP



BS EN 124 CLASS



TEST LOAD

HEAD OFFICE & FACTORY

LYN SON CHEMICAL AVENUE, KM-38 ABEOKUTA-LAGOS EXPRESSWAY,
SANGO-OTA, OGUN STATE. NIGERIA. +234 807 089 0883 | 080 8927 4521
WWW.NIGERIANFOUNDRIES.COM

GET A QUOTE

+234703 475 9821

sales@nigerianfoundries.com